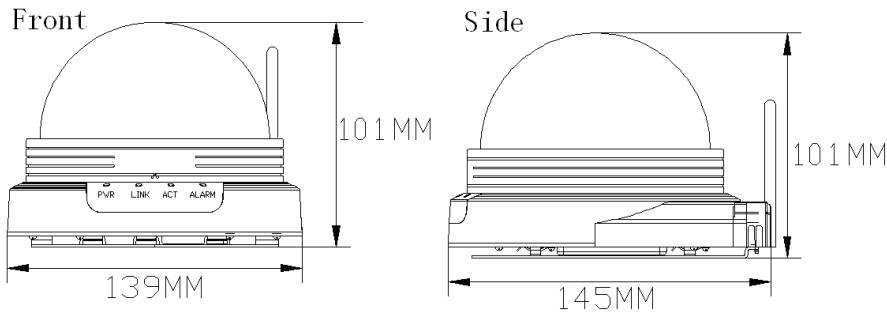
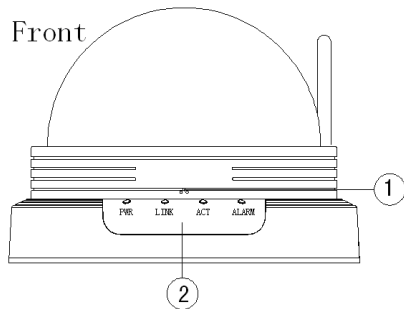


**Dimensions And Interfaces:**

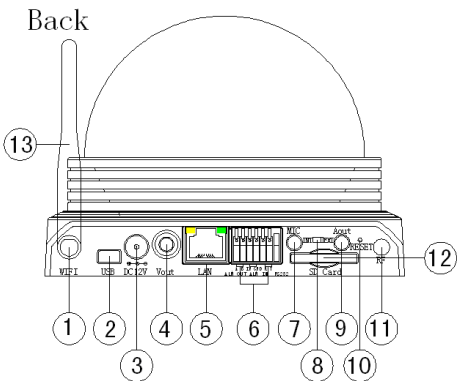
**Dimensions:**



**Interfaces:**



- ① Built-in microphone
- ② State indicator



- ③ Wireless interface, ANT connector
- ④ MINI USB interface (undefined)
- ⑤ DC12V Input
- ⑥ Video out, BNC connector(undefined)
- ⑦ Ethernet interface, RJ45 network connector
- ⑧ I/O interface
- ⑨ Audio in interface, MIC connector
- ⑩ AUDIO Switch
- ⑪ Audio out interface, RCA connector
- ⑫ Reset button
- ⑬ RF interface, ANT connector(undefined)
- ⑭ SDHC card slot
- ⑮ WiFi antenna

**I/O definition:**

1	1A: ALARM Output	4	GND: ALARM Input GND
2	1B: ALARM Output	5	R: RS232 control input +(undefined)
3	IN: ALARM Input	6	T: RS232 control input -(undefined)